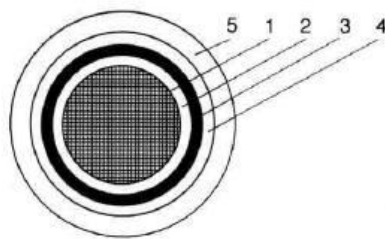


Low Voltage XLPE Insulated Power Cable Structure

The diagram of structure:

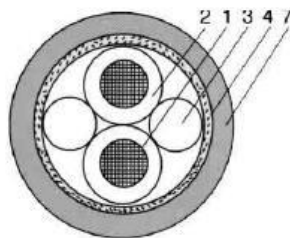
► The Diagrams of Single-core Cables



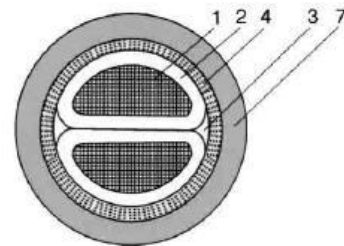
Solid-core or twisted conductor inner-steel-tape (or wire) armoured XLPE cables (Type YJV22, YJLV22, YJV23, YJLV23, YJV32, YJLV32, YJV33 and YJLV33)

1. Copper (or aluminium) conductive core
2. XLPE insulation
3. Non-woven cloth wrapped inner bedding material layer
4. Double steel tape (steel wire) armoured layer
5. PVC or PE outer sheath

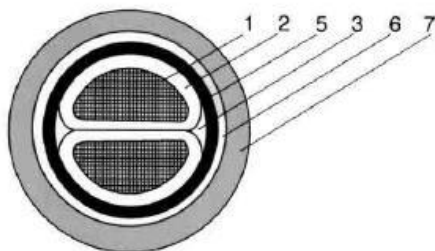
► The Diagrams of Double-Core Cables



Solid-core round conductor non-armoured XLPE cables (Type YJV, YJLV, YJY and YJLY)



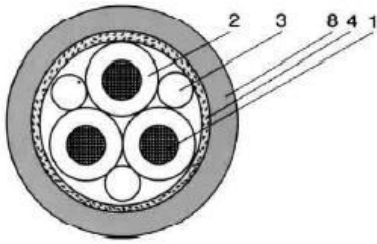
Solid-core or twisted tightly-pressed semi-cylindrical conductor non-armoured XLPE cables (Type YJV, YJLV, YJY and YJLY)



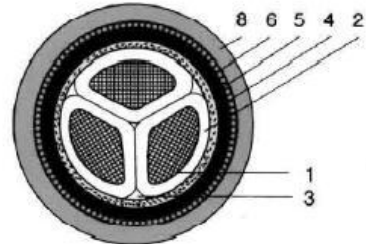
Solid-core or twisted tightly-pressed semi-cylindrical conductor inner-steel-tape (or wire) armoured XLPE cables (Type YJV22, YJLV22, YJLV23, YJV32, YJLV32, YJV33 and YJLV33)

1. copper (or aluminium) conductive core
2. XLPE insulation
3. PP filler
4. Cable core wrapping tape
5. Non-woven cloth wrapped inner bedding material layer
6. Double steel tape (steel wire) armoured layer
7. PVC or PE outer sheath

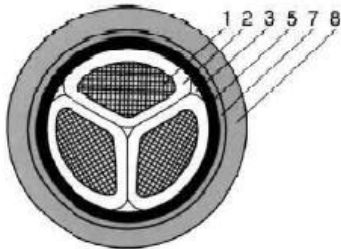
► The Diagrams of Three-Core Cables



Solid-core round conductor non-armoured XLPE cables (Type YJV, YJLY, YJY and YJLY)



Solid-core or tightly-pressed twisted sector conductor fine(thick)-steel-wire-inner-armoured XLPE cables (Type YJV32, YJLV32, YJV33, YJLV33, YJV42, YJLV42, YJV43, YJLV43)

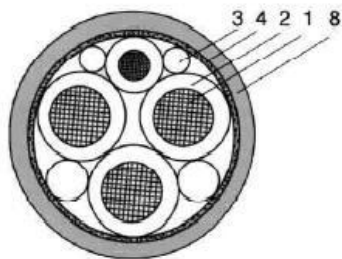


Solid-core or tightly-pressed twisted sector conductor inner-steel-tape-armoured XLPE cables (Type YJV22, YJLV22, YJV23, YJLV23)

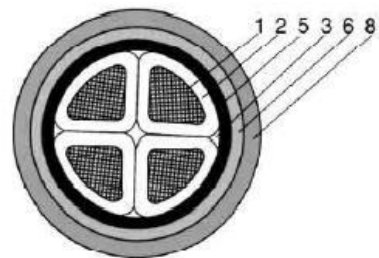
1. copper (or aluminium) conductive core
2. XLPE insulation
3. PP filler
4. Cable core wrapping tape
5. Non-woven cloth wrapped inner bedding

6. Single layer of inner-armoured fine(thick) steel wire
7. Double steel tape armoured layer
8. PVC or PE other sheath

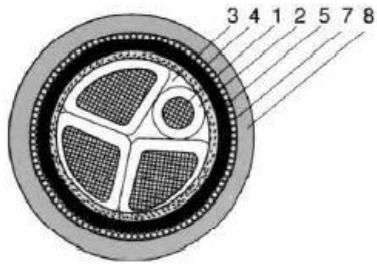
► The Diagrams of Four-Core Cables



Solid-core round conductor non-armoured XLPE cables (Type YJV, YJLV, YJY and YJLY)



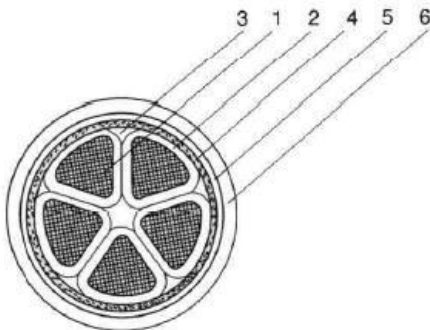
Solid-core or tightly-pressed sector (equal section) inner-steel-tape (or wire)-armoured XLPE cables (Type YJV22, YJV23, YJLV23, YJLV22, YJV32, YJLV33, YJV33, YJLV33)



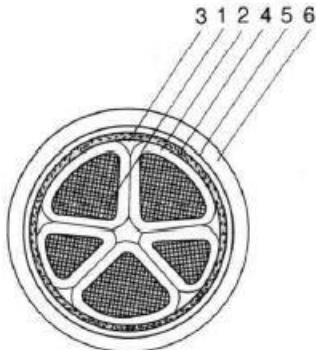
Solid-core or tightly-pressed sector(3+1)inner fine(thick)-steel-wire-armoured XLPE cables(Type YJV32, YJLV32, YJV33, YJLV33, YJV42, YJLV42, YJV43, YJLV43)

- 1.copper(or aluminium)conductive core
- 2.XLPE insulation
- 3.PP filler
- 4.Cable core wrapping tape
- 5.Non-woven cloth wrapped inner bedding material layer
- 6.double steel tape armoured layer
- 7.Single layer of inner-armoured fine(thick)steel wire
- 8.PVC or PE other sheath

► The Diagrams of Five-Core Cables

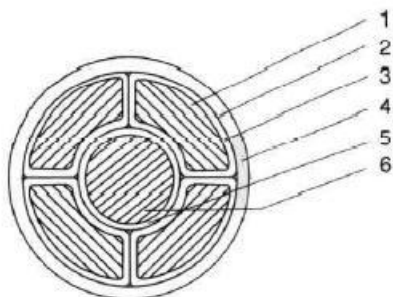


Solid-core or tightly-pressed sector(equal section) inner-steel-tape(or wire)-armoured XLPE cables



Solid-core or tightly-pressed sector(3+2) inner-steel-tape(or wire)-armoured XLPE cables

- 1.copper(or aluminium)conductive core
- 2.XLPE insulation
- 3.PP filler
- 4.Wrapped inner bedding material layer
- 5.Steel tape(steel wire)armoured layer
- 6.PVC or PE other sheath



five core cable with tile type conductor

- 1.Outer sheath
- 2.Wrapping layer
- 3.Tile type conductor
- 4.Insulation for tile type conductor
- 5.Insulation for protection conductor
- 6.Conductor for protection